

NEW

ELMO

PTC-100S

PAN-TILT-ZOOM COMMUNICATION CAMERA



ELMO PTC-100S is the Pan / Tilt / Zoom full-control communication camera with the latest electronics & optical technologies.

Unsurpassed in Performance

- 22x optical zoom to clearly capture the details
- Full-Auto focus plus manual focus
- 300° in total for panning & 120° in total for tilting
- Max. 90°/sec. pan / tilt speed
- More than 460TV lines high resolution
- Full camera controls include: backlight compensation, iris selection, white balance, color balance, AGC gain, edge enhancement
- Wide-angle adapter (optional) attachable (FOV:68° (H))

Cutting Edge Design

- Low-profile, symmetrical design permits unobtrusive integration
- The housing is constructed from extruded ABS with an attractive brushed aluminum two-tone coating
- 4.9x6.0x5.4" in dimensions and 1.7 lbs. in weight

Versatile Control Features

- I/R remote control from front and rear
- Up to six cameras can be controlled by a single IR remote controller
- RS-232C daisy chain connection for a max. of 7 PTC-100S's
- 6 position pre-set mode
- Auto & manual (8 speed) speed control
- Left / right direction change, homing, pan / tilt reset
- Power save mode provided

ELMO

Visualizing technology since 1921

PAN-TILT-ZOOM COMMUNICATION CAMERA PTC-100S

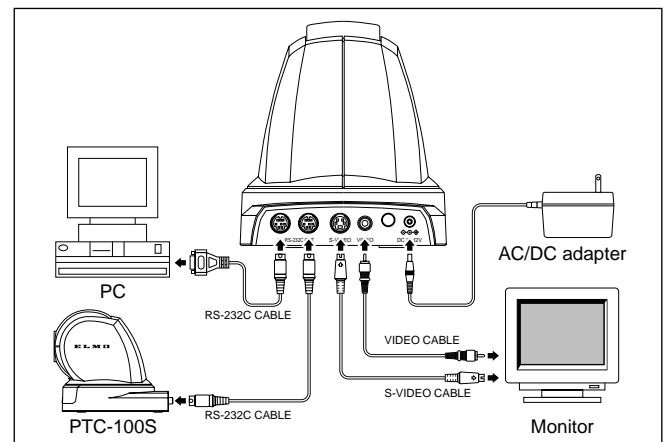
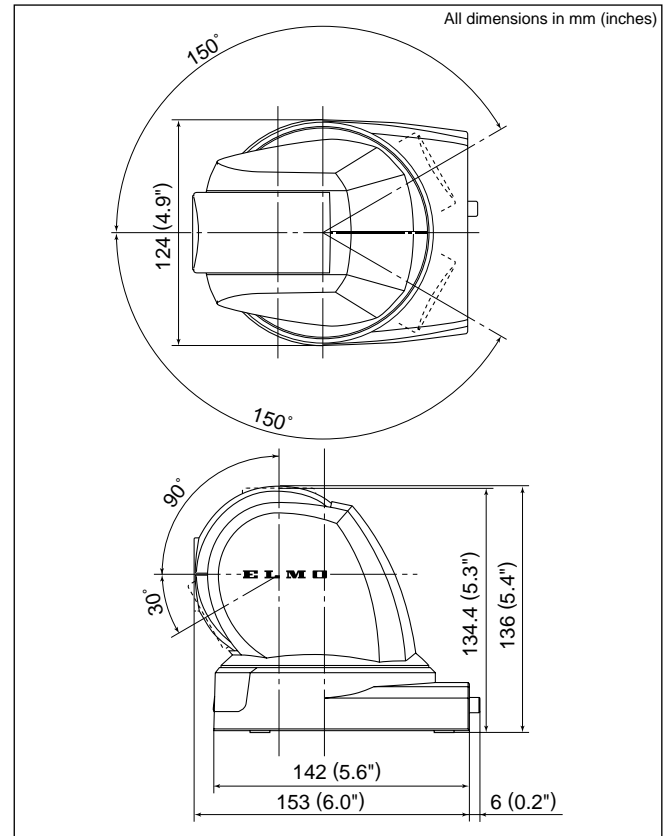
SPECIFICATIONS

TV system	NTSC system
Pick-up device	1/4" IT Color CCD
Total picture element	410,000 pixels
Sync. system	Internal
Resolution (Horizontal)	More than 460 TV lines
Resolution (Vertical)	More than 350 TV lines
S/N ratio	More than 49dB
Minimum illumination	2 lx
Lens	22x powered zoom, f=4.0-88.0mm, F1.6-3.8
Zoom	22x powered optical zoom
Field of view (Horizontal)	47.3° (*) -2.2°
Lens filter diameter	37mm, pitch=0.75mm
Video output	RCA x1
S-video output	Mini DIN 4 Pin x1
Communications	RS-232C mini DIN 8 Pin x2
Camera controls	
:Backlight compensation	ON/OFF
:Iris selection	Auto/Manual
:White balance	Auto/Push-set/Manual
:Focus	Full-auto/Manual
:Picture adjustment	Color balance, AGC gain, edge enhancement, etc.
Pan/Tilt controls	
:Pan (H)	+/- 150° (300° in total, Max speed 90°/s)
:Tilt (V)	-30 to 90° (120° in total, Max speed 90°/s)
:Left & Right direction change	Provided
:Homing	Provided
:Pan/Tilt reset button	Provided
:Speed control	Auto & Manual (8 speeds)
:Diagonal movement	Enabled at preset mode
Other controls	
:Preset	6 positions
:Remote control for plural cameras	Max 6 (PTC-100S) cameras
:Remote control for power ON/OFF	Provided
:Power save mode	Provided
:OSD menu	Provided (Camera/preset selection)
:RS-232C daisy chain connection	Max 7 (PTC-100S) cameras
Receivable angle from IR remote controller	Front: -90 to +90°(H), -30 to +30°(V) Rear: -30 to +30°(H), -30 to +30°(V)
Dimensions (W x D x H)	124 x 153 x 136mm (4.9 x 6.0 x 5.4")
Power requirement	12VDC from supplied AC adapter
Weight	Approx. 790g (1.7lbs)
Accessories included	IR Remote controller(w/batteries), AC adapter, RCA cable, Instruction manual

Note: (*) The wide-angle view will be approx. 68° when a wide-angle converter, commercially available in the market, is attached onto the lens.

• Weight and dimensions are approximate.
Design and specifications are subject to change without prior notice.

PROFILE



ELMO ELMO CO., LTD.

6-14, Meizen-cho, Mizuho-ku, Nagoya, 467-8567 Japan E-mail: foreign-div@elmo.co.jp

ELMO Mfg. Corp.
1478 Old Country Road,
Plainview, NY 11803-5034, U.S.A.
Tel. 516-501-1400 Fax. 516-501-0429
E-mail: elmo@elmousa.com
Web: <http://www.elmousa.com>

ELMO Canada Mfg. Corp.
44 West Drive, Brampton,
Ontario, L6T 3T6, Canada
Tel. 905-453-7880 Fax. 905-453-2391
E-mail: info@elmocanada.com
Web: <http://www.elmocanada.com>

ELMO (Europe) G.m.b.H.
Neanderstr 18,
40233 Düsseldorf, Germany
Tel. 0211-376051-53 Fax. 0211-376630
E-mail: elmoeurope@AOL.com
Web: <http://www.elmo.de>